



www.reggianariduttori.com

Winch Drives

MADE IN ITALY

REGGIANA RIDUTTORI S.r.l.
Via Martiri di Marzabotto,7
42020 - S. Polo d'Enza (RE) - ITALY
tel. +39.0522.259111 - fax +39.0522.874321
info@reggianariduttori.com





PLANETARY W DRIVES

With over 40 years of engineering experience, Reggiana Riduttori is one of the world's leading companies in the design and manufacture of gearboxes for a wide variety of lifting installations.

This brochure aims to provide to you an overview on our W series. W drives have been designed to offer a **compact** and **flexible** product and to resist intense application cycles.

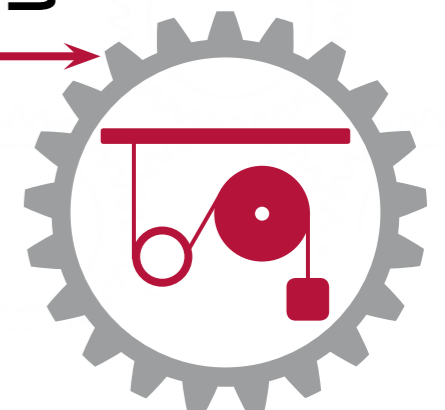
Our gear units are easy to maintain even when assembled in the drum, as all the interfaces are on the motor side.

A guaranteed long life time and resistance to high torque peaks are just a couple of the many features of our W range. Our winch drives can be equipped with brakes and custom made accessories to ensure a perfect and simple assembly on your system.

-  **100% MANUFACTURED IN ITALY**
-  **HIGHEST QUALITY STANDARDS**
-  **DEDICATED TEAM OF APPLICATION ENGINEERS**
-  **DNVGL-ST0378 APPROVED**

PLANETARY LIFTING

SPECIALISTS

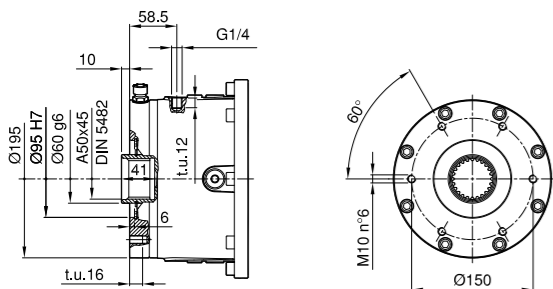




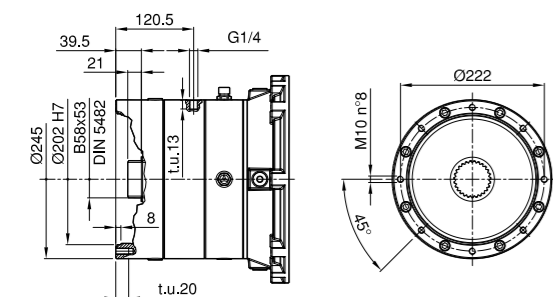
- ✓ External input reduction set to allow easy and flexible ratio changes
- ✓ Electrical and Hydraulic motor connections
- ✓ Negative brakes with backstop device
- ✓ Compact
- ✓ Easy maintenance
- ✓ Double radial shaft seal protection
- ✓ Two, three, four stages and bevel options
- ✓ Oil level kit included

WINCH DRIVE	RATINGS						
	T _{2FEM} [Nm]	STATIC TORQUE T _{2MAX} [Nm]	BEARING LOAD			RATIO	WEIGHT [Kg]
	FEM M5 (T5-L2), n ₂ =15 rpm		C ₀ kN	C kN	Z		
RR3200 W3	39000	72000	960	610	6.5	65 ÷ 189	265
RR5200 W3	61000	105000	1050	650	7.5	70 ÷ 176	370
RR6500 W3	78000	140000	1470	790	24	62 ÷ 185	550
RR10000 W3	116000	190000	1740	920	31	64 ÷ 147	790
RR15000 W3	169000	300000	2370	1220	46.5	64 ÷ 147	1030
RR20000 W4	234000	400000	6000	2530	45	258 ÷ 1180	1600
RR25000 W4	316000	600000	7200	3450	72	267 ÷ 915	2200
RR40000 W4	460000	800000	8300	3900	72	267 ÷ 864	3100
RR55000 W4	660000	1100000	10800	5000	125	274 ÷ 805	4400

n1 max up to 3500 rpm

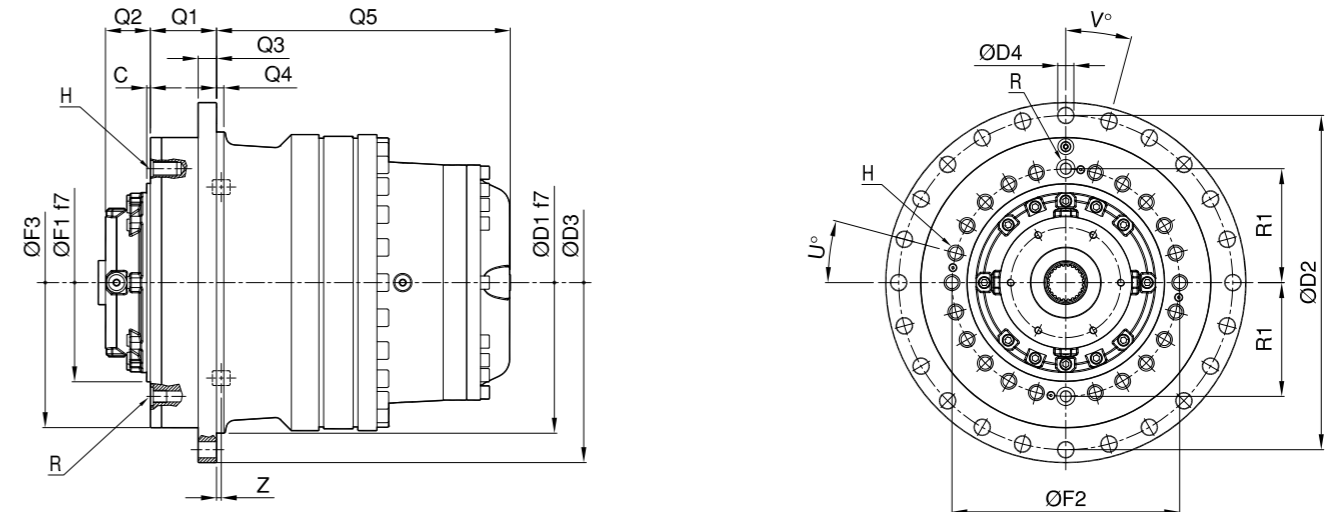


RF5/..	RF5/21	RF5/29	RF5/43	RF5/65	RF5/85	RF5/110	RF5/130	RF5/150
TF [Nm]	180 ÷ 230	280 ÷ 330	420 ÷ 460	610 ÷ 700	830 ÷ 920	1080 ÷ 1180	1260 ÷ 1360	1460 ÷ 1560
pa min [bar]	4 ÷ 5	6 ÷ 7	9 ÷ 10	13 ÷ 15	18 ÷ 20	23 ÷ 25	27 ÷ 29	27 ÷ 29
pac [bar]	40							
pa max [bar]	250							
Vo max [l]	0.3							
Vca [cm³]	8 ÷ 9							
M [K]	21							
Vs [-]	VG 32							
n1 max [min ⁻¹]	* Contattare il Servizio Tecnico RR / Please contact the RR Technical Service / Sie beziehen sich auf den Technischen KundendienstRR							

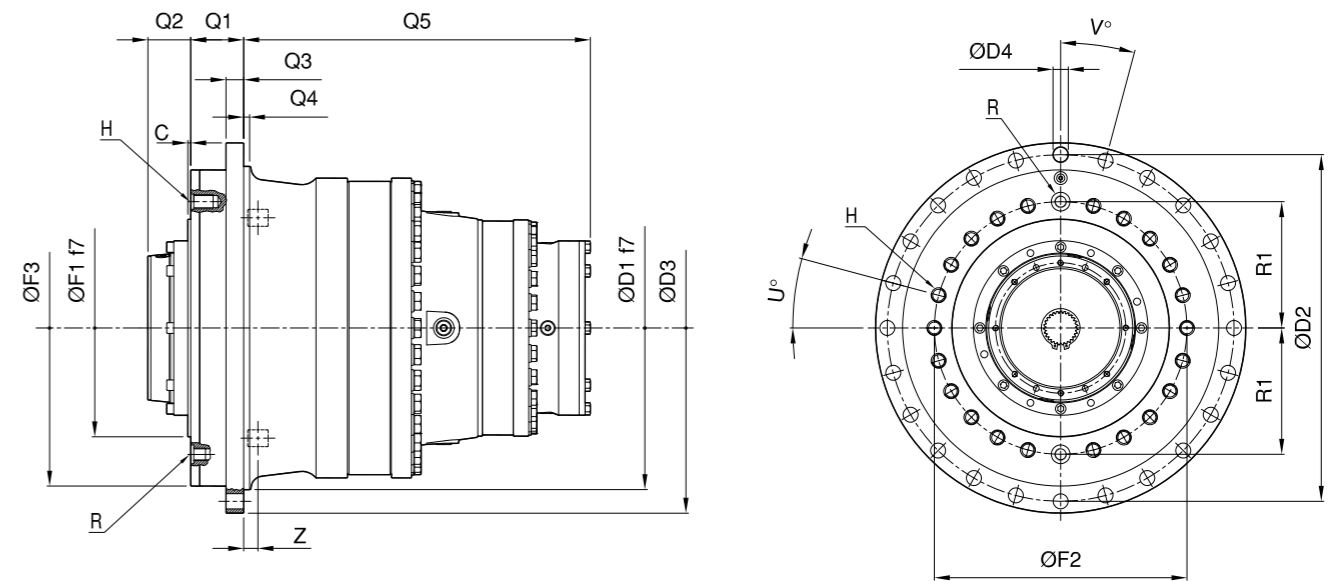


RF170 - 290	RF170	RF200	RF230	RF290
TF [Nm]	1700	1980	2260	2830
pa min [bar]	28 ÷ 30	24 ÷ 26	27 ÷ 29	28 ÷ 30
pac [bar]	40			
pa max [bar]	250			
Vo max [l]	0.45			
Vca [cm³]	27 ÷ 30			
M [K]	64			
Vs [-]	VG 32			
n1 max [min ⁻¹]	* Contattare il Servizio Tecnico RR / Please contact the RR Technical Service / Sie beziehen sich auf den Technischen KundendienstRR			

RR3200 - RR5200 STANDARD INPUT B

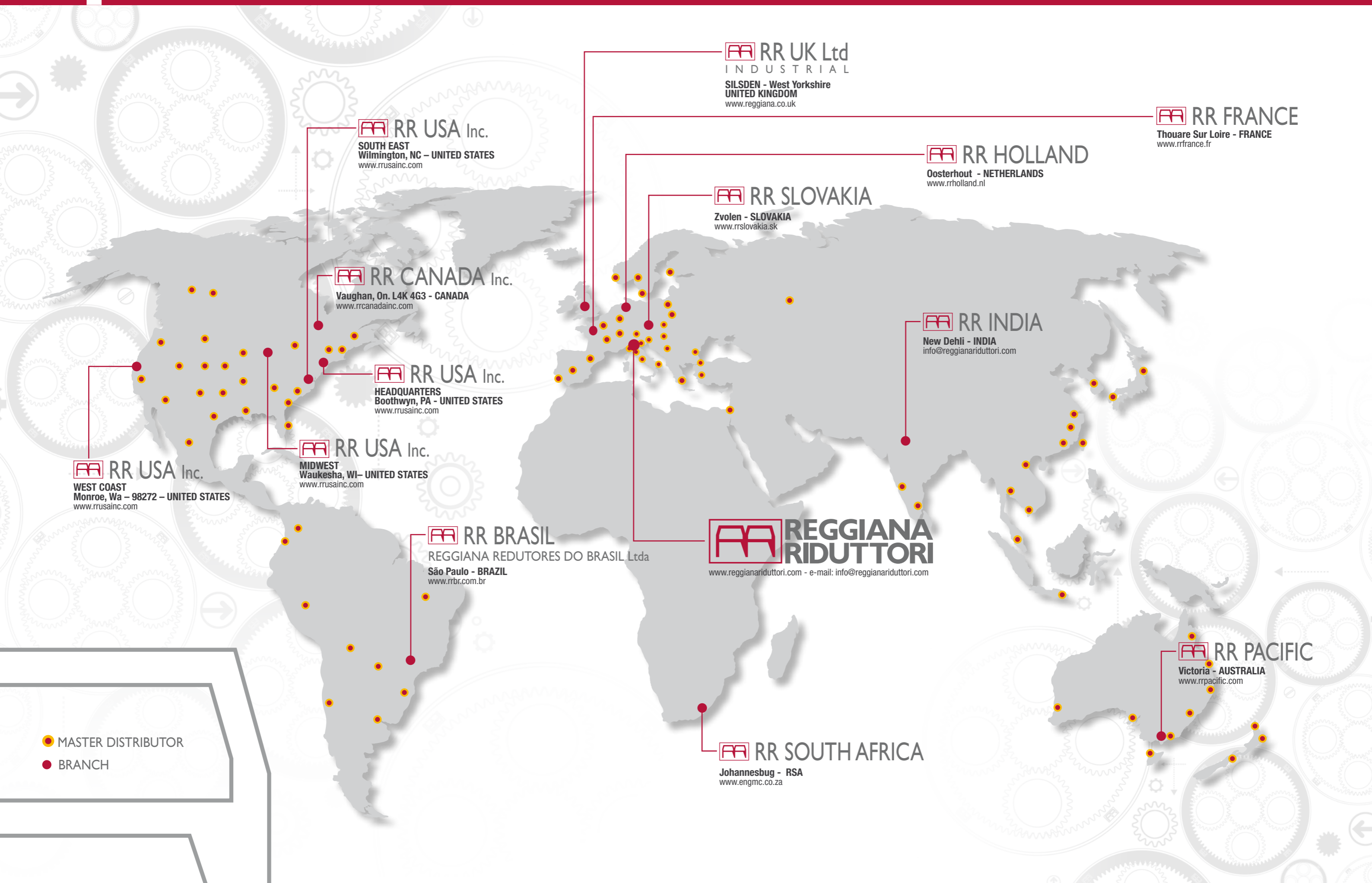


RR6500 - RR15000 W3 STANDARD INPUT C RR20000 - RR55000 W4 STANDARD INPUT C/D



WINCH DRIVE	F1	C	F2	F3	H	R1	D1	D2	D3	D4	V°	U°	Q1	Q2	Q3	Q4	Q5	R
RR3200 W3	270	5	310	395	M20 n°22	155	410	455	490	Ø22 n°24	15	15	90	61	25	10	400	3/8"
RR5200 W3	325	5	380	474	M24 n°22	190	470	520	560	Ø26 n°18	20	15	90	61	30	10	450	1/2"
RR6500 W3	370	5	430	538	M24 n°22	215	550	590	630	Ø26 n°24	15	15	90	73	35	12	590	1/2"
RR10000 W3	420	5	470	580	M24 n°22	235	580	630	680	Ø26 n°24	15	15	90	110	35	12	710	1/2"
RR15000 W3	460	5	510	630	M30 n°26	255	645	695	750	Ø33 n°24	15	12.857	110	85	30	10	775	3/4"
RR20000 W4	550	10	610	738	M30 n°28	305	750	810	860	Ø33 n°30	12	12	120	42	37	15	715	3/4"
RR25000 W4	650	10	700	830	M30 n°34	350	850	900	950	Ø33 n°36	10	10	120	97	35	15	784	3/4"
RR40000 W4	720	13	785	930	M36 n°28	392.5	910	1000	1060	Ø33 n°36	10	12	130	97	50	15	876	1"
RR55000 W4	800	13	870	1020	M30 n°34	435	1020	1090	1150	Ø33 n°40	9	10	130	104.5	50	15	1039	1"

n1 max up to 3500 rpm



AA RR UK Ltd
INDUSTRIAL
SILSDEN - West Yorkshire
UNITED KINGDOM
www.reggiana.co.uk

AA RR FRANCE
Thouare Sur Loire - FRANCE
www.rrfrance.fr

AA RR HOLLAND
Oosterhout - NETHERLANDS
www.rrholland.nl

AA RR SLOVAKIA
Zvolen - SLOVAKIA
www.rrslovakia.sk

AA RR USA Inc.
SOUTH EAST
Wilmington, NC – UNITED STATES
www.rrusainc.com

AA RR CANADA Inc.
Vaughan, On. L4K 4G3 - CANADA
www.rrcanadainc.com

AA RR USA Inc.
HEADQUARTERS
Boothwyn, PA - UNITED STATES
www.rrusainc.com

AA RR INDIA
New Dehli - INDIA
info@reggianariduttori.com

AA RR USA Inc.
WEST COAST
Monroe, Wa – 98272 – UNITED STATES
www.rrusainc.com

AA RR USA Inc.
MIDWEST
Waukesha, WI – UNITED STATES
www.rrusainc.com

AA REGGIANA RIDUTTORI
www.reggianariduttori.com - e-mail: info@reggianariduttori.com

AA RR BRASIL
REGGIANA REDUTORES DO BRASIL Ltda
São Paulo - BRAZIL
www.rrbr.com.br

AA RR PACIFIC
Victoria - AUSTRALIA
www.rrpacific.com

AA RR SOUTH AFRICA
Johannesbug - RSA
www.engmc.co.za

● MASTER DISTRIBUTOR
● BRANCH